

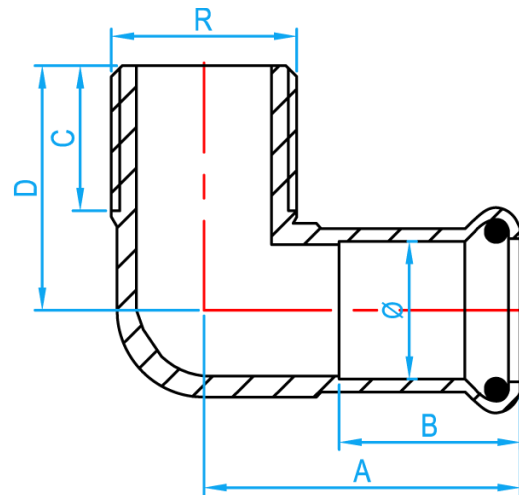
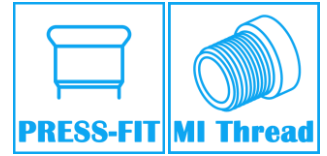
DZR BRASS PRESS FIT FITTINGS

COMPLY WITH BSEN1254-2:1998

MI ELBOW



A Product of the nPressGuard® Solution



CROSS SECTIONAL VIEW

DIMENSIONS

SKU	SIZE (inch)	Ø (mm)	A (mm)	B (mm)	C [mm]	D [mm]	WEIGHT (Kg)	PCS/CTN
PFNMIE015	½" BSPT	15.2	34.9	20.0	16	27	0.063	200